

# Approval Proof

Front

Back

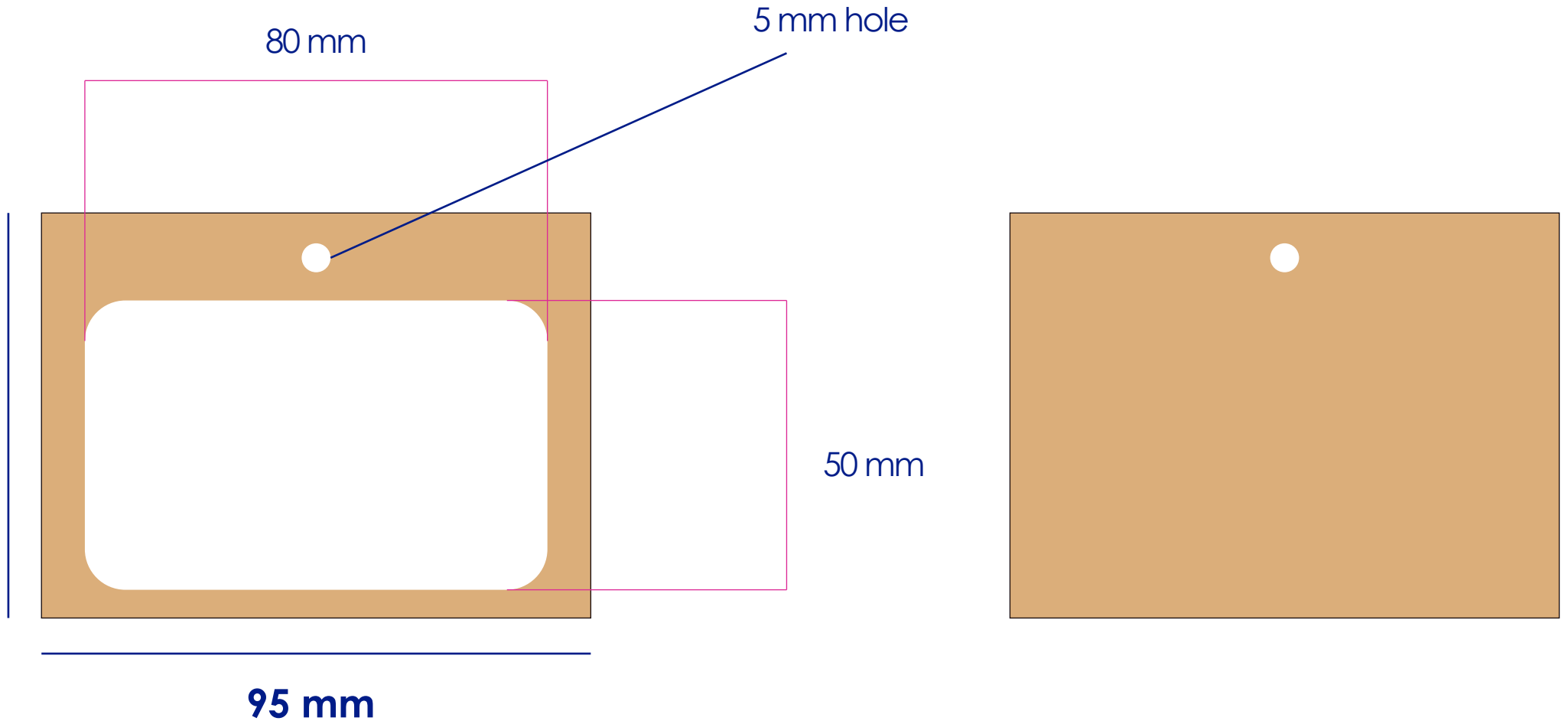
80 mm

5 mm hole

70 mm

50 mm

95 mm



## Colours



Text

## Product Colour



Natural

**Kraft Card Holder**  
95mm x 70mm  
Branding Method: Laser Engraved

## Logo Size

## Terms & Conditions

It is the clients responsibility to check the above artwork has been produced correctly by our factory to suit the manufacturing process. Whilst every effort has been made to copy the artwork provided, certain pantones have a tolerance of -10% +10% colour variation. Please note colours can vary from monitor so always check the pantone. Any correction/amendments after Moulds/Screens have been created will result in a new Mould/Screen being required and charged. By signing off acceptance you have agreed to proceed and such no errors or omissions can be accepted or highlighted once the goods have been delivered.



Please note small texts may fill and become illegible