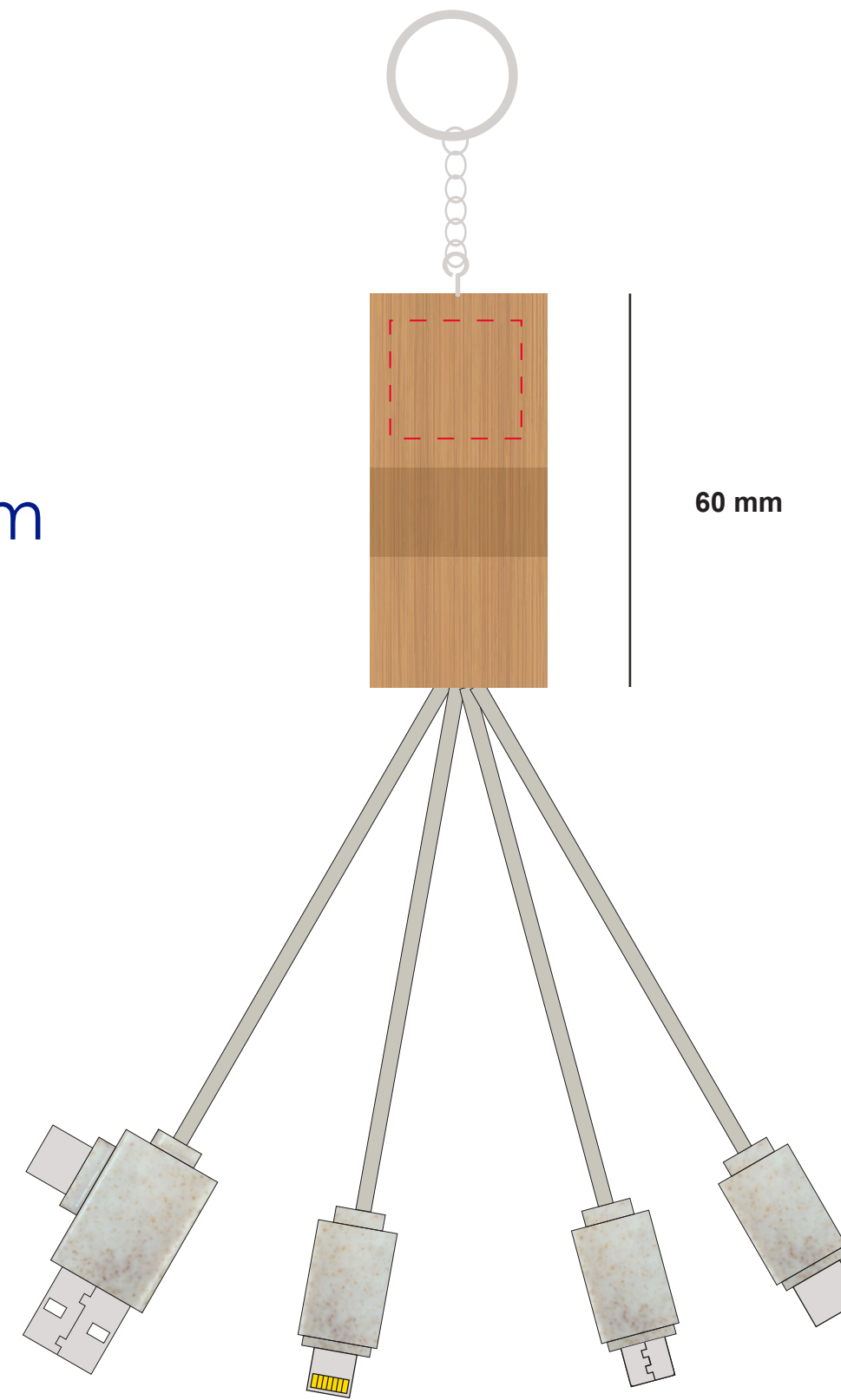


# Approval Proof

Max Logo: 20mm x 18mm



\*Please see disclaimer on page 2

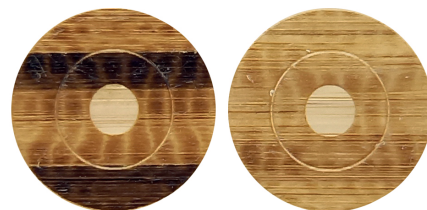


60 mm

## Colours

 Laser Engraved

Please note that Bamboo is a natural material meaning that the colour of the engraving can vary on each item.



\*Please see disclaimer on page 2

## Product Colour

 Natural

 Natural

**Bamboo Multi-Cable with Phone Stand**  
60mm x 27mm body  
Branding Method: Laser Engraved

## Logo Size

## Terms & Conditions

It is the clients responsibility to check the above artwork has been produced correctly by our factory to suit the manufacturing process. Whilst every effort has been made to copy the artwork provided, certain pantones have a tolerance of -10% +10% colour variation. Please note colours can vary from monitor so always check the pantone. Any correction/amendments after Moulds/Screens have been created will result in a new Mould/Screen being required and charged. By signing off acceptance you have agreed to proceed and such no errors or omissions can be accepted or highlighted once the goods have been delivered.



**Please note small texts may fill and become illegible**

# Disclaimer

---



Please note that this product has varying directions of grain that cannot be controlled. As a result of this branding may appear to look in slight different positions even if it is centralised on every product.

---



Bamboo is a natural product, the sugar cane within bamboo controls the darkness of engraving. As it is natural the level of sugar cane can vary causing the engraving colour to be different through the order. Please note every piece will be different. The below examples show how the engraving colour can vary on each logo.

# Your Logo Here



---

Please note we can have up to 2mm movement when engraving - like the below:

