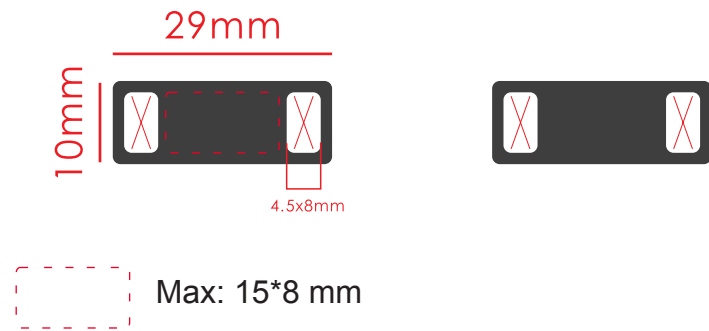


# Approval Proof

---



## Colours



 Cut out

## Product Colour



Black

## Shoelace Charms

29\*10\*1.5MM

Branding Method: print

## Fitment

## Terms & Conditions

It is the clients responsibility to check the above artwork has been produced correctly by our factory to suit the manufacturing process. Whilst every effort has been made to copy the artwork provided, certain pantones have a tolerance of -10% +10% colour variation. Please note colours can vary from monitor so always check the pantone. Any correction/amendments after Moulds/Screens have been created will result in a new Mould/Screen being required and charged. By signing off acceptance you have agreed to proceed and such no errors or omissions can be accepted or highlighted once the goods have been delivered.



Please note small texts may fill and become illegible